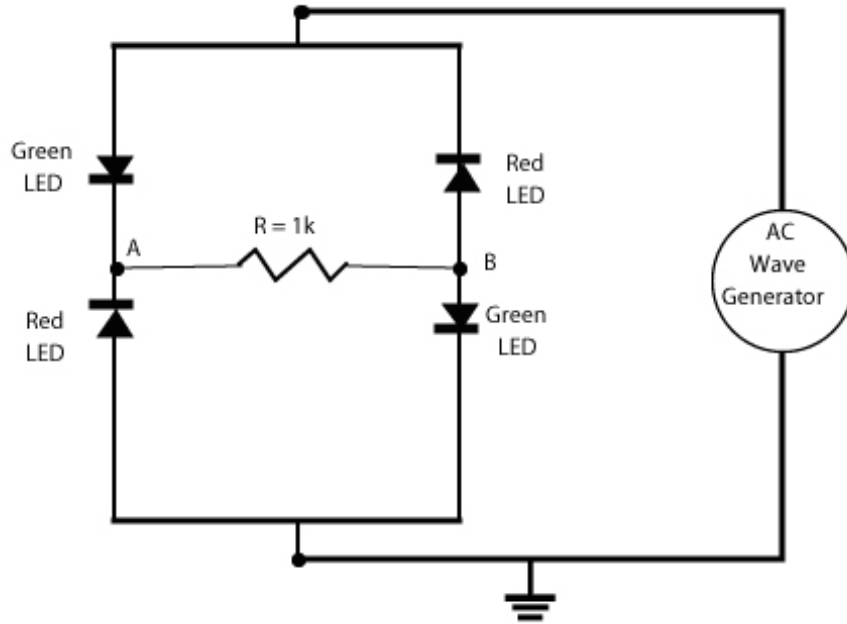


## SP.764 Fall 04 - Problem Set 3



Assume that the red LED turns on with a forward voltage of 1.5 V, and that the green LED turns on with a forward voltage of 2.0 V.

1. Sketch a plot of 2 cycles of a  $\pm 5$  V square wave from the AC wave generator.
2. Sketch a plot of the voltage measured between points A and Ground below your plot from Q. 1
3. Sketch a plot of the voltage measured between points B and Ground below your plot from Q. 1
4. Sketch a plot of the voltage measured between points A and B below your plot from Q. 1
5. Repeat Q.'s 1 through 4 for a sine wave

MIT OpenCourseWare  
<http://ocw.mit.edu>

EC.S06 / EC.S11 Practical Electronics  
Fall 2004

For information about citing these materials or our Terms of Use, visit: <http://ocw.mit.edu/terms>.