

MIT OpenCourseWare
<http://ocw.mit.edu>

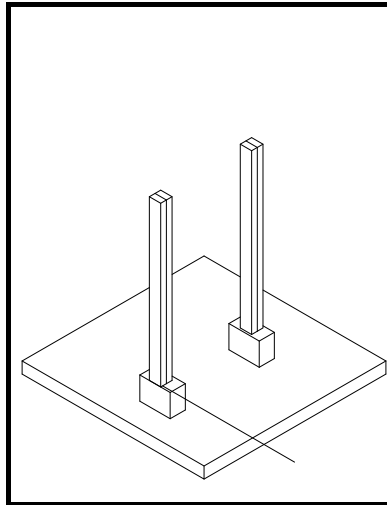
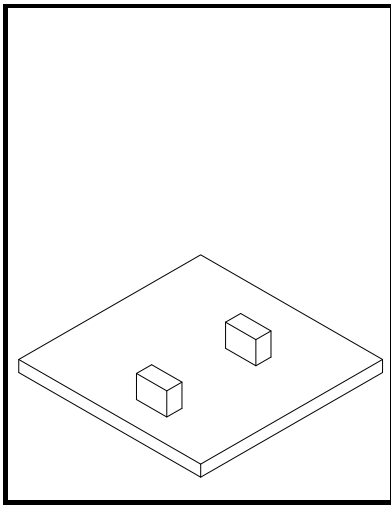
4.500 Introduction to Design Computing
Fall 2008

For information about citing these materials or our Terms of Use, visit: <http://ocw.mit.edu/terms>.

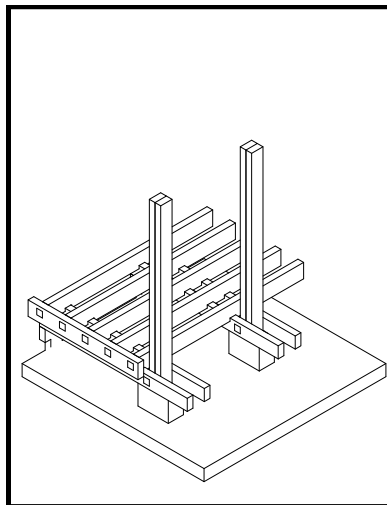
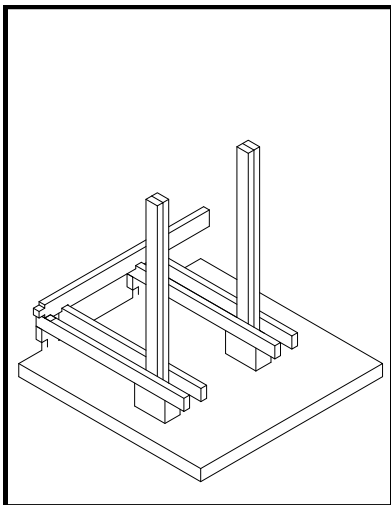
Recitation #7
LASER CUTTING-MODEL PROCESS
Professor Larry Sass

"Each page can take up to an hour to model"
MATERIAL IS 1/8" THICK

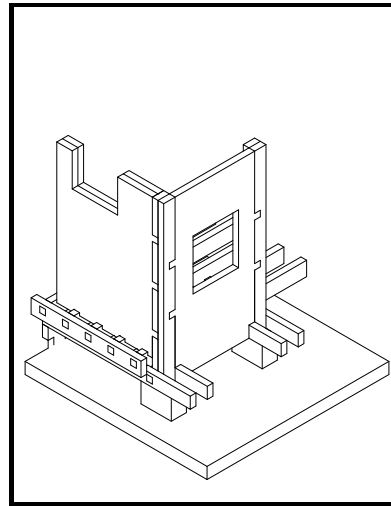
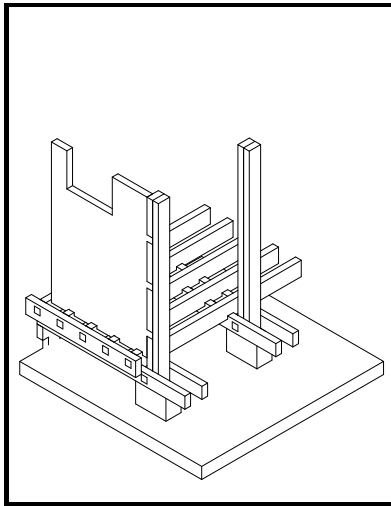
1 Base (1/4") & Posts



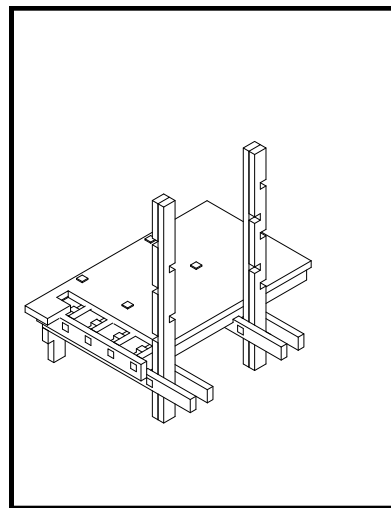
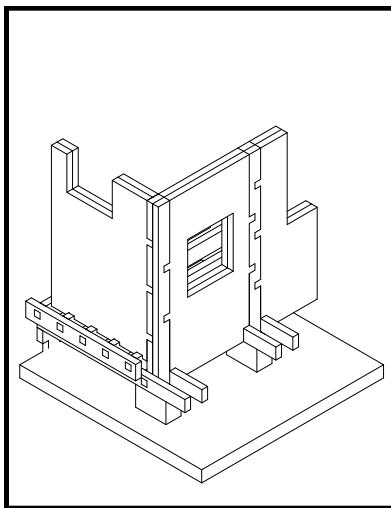
2 Rafters



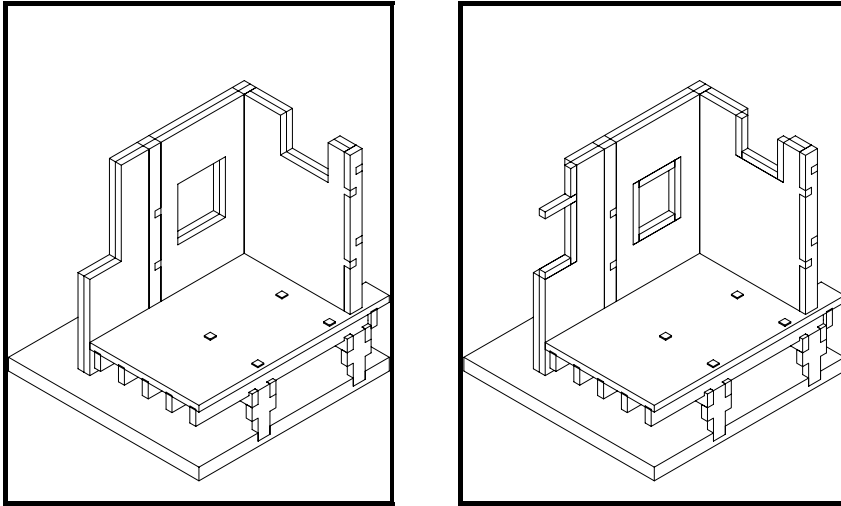
3 Walls



4 Walls & Floor

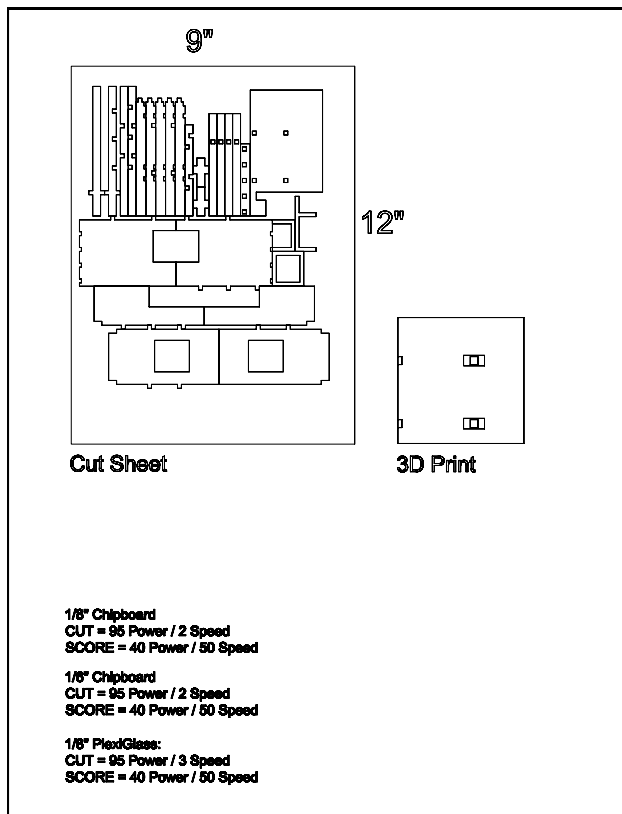


5 Door & Window Frames



6 Copy lsass_construction_model.dwg >> lsass_cutsheet.dwg

A cut sheet is the cut area in the AutoCAD file also the 3D print and cutting instructions. The maximum area for our cutter is 17" x 31"



7 Final cut sheet, 3d model and laser cutter settings.

To cut type in zoom in model space to 1:1 or Zoom>>1.1/xp save and open file on laser cutter in building 7

