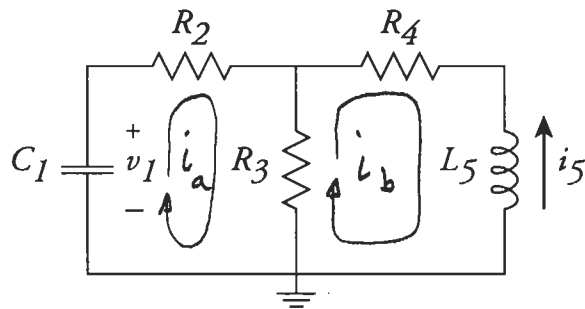


To solve, you can use the node method or loop method. It's easier with loop method. To solve, write KVL around 2 loops, plus capacitor constitutive law:



$$i_a: (R_2 + R_3) i_a - R_3 i_b - v_1 = 0$$

$$i_b: -R_3 i_a + (R_3 + R_4 + L_5 \frac{d}{dt}) i_b = 0$$

$$C_1: i_a + C_1 \frac{dv_1}{dt} = 0$$

(Note that $i_a = -C_1 dv_1/dt$, because $i_1 = -i_a$)

Plugging in numbers,

$$\begin{array}{rcl} 8 i_a & - 4 i_b & - v_1 = 0 \\ -4 i_a + (2 \frac{d}{dt} + 5) i_b & & = 0 \\ i_a & & + 0.5 \frac{dv_1}{dt} = 0 \end{array}$$

If we assume that

$$\begin{array}{l} i_a(t) = I_a e^{st} \\ i_b(t) = I_b e^{st} \\ v_1(t) = V_1 e^{st} \end{array}$$

then the above equations become

$$\begin{aligned}
 8 I_a & \quad - 4 I_b & - V_1 & = 0 \\
 -4 I_a & + (2s + 5) I_b & & = 0 \\
 I_a & & + 0.5s & = 0
 \end{aligned}$$

In matrix form,

$$\underbrace{\begin{bmatrix} 8 & -4 & -1 \\ -4 & 2s+5 & 0 \\ 1 & 0 & 0.5s \end{bmatrix}}_{M(s)} \begin{bmatrix} I_a \\ I_b \\ V_1 \end{bmatrix} = 0$$

For this equation to have a solution,

$$\det(M(s)) = 0$$

$$\begin{aligned}
 &= 8 \left[(2s+5)(0.5s) - (0)(0) \right] \\
 &+ 4 \left[(-4)(0.5s) - (1)(0) \right] \\
 &- 1 \left[(-4)(0) - (1)(2s+5) \right] \\
 &= (4s(2s+5)) - 8s + 2s+5 \\
 &= 8s^2 + 14s + 5 = 0
 \end{aligned}$$

The roots are

$$s_1 = -1.25 \text{ sec}^{-1}$$

$$s_2 = -0.5 \text{ sec}^{-1}$$

Now find the characteristics vectors:

$$s_1 = -1.25:$$

$$M(s_1) = \begin{bmatrix} 8 & -4 & -1 \\ -4 & 2.5 & 0 \\ 1 & 0 & -0.625 \end{bmatrix}$$

$M(s_1)$ can be row-reduced to obtain

$$\begin{bmatrix} 1 & -1/2 & -1/8 \\ 0 & 1 & -1 \\ 0 & 0 & 0 \end{bmatrix} \begin{bmatrix} I_a \\ I_b \\ V_1 \end{bmatrix} = \underline{0}$$

One solution is

$$\begin{bmatrix} I_a \\ I_b \\ V_1 \end{bmatrix} = \begin{bmatrix} 5/8 \\ 1 \\ 1 \end{bmatrix}$$

Similarly, for $s_2 = -0.5$,

$$M(s_2) = \begin{bmatrix} 8 & -4 & -1 \\ 4 & 4 & 0 \\ -1 & 0 & -0.25 \end{bmatrix}$$

which can be row-reduced to obtain

$$\begin{bmatrix} 1 & -1/2 & -1/8 \\ 0 & 1 & -1/4 \\ 0 & 0 & 0 \end{bmatrix} \begin{bmatrix} I_a \\ I_b \\ V_1 \end{bmatrix} = \underline{0}$$

A solution is

$$\begin{bmatrix} I_a \\ I_b \\ V_1 \end{bmatrix} = \begin{bmatrix} 1 \\ 1 \\ 4 \end{bmatrix}$$

The general solution is then

$$\begin{pmatrix} i_a(t) \\ i_b(t) \\ v_1(t) \end{pmatrix} = a \begin{pmatrix} 5/8 \\ 1 \\ 1 \end{pmatrix} e^{-1.25t} + b \begin{pmatrix} 1 \\ 1 \\ 4 \end{pmatrix} e^{-0.5t}$$

The initial conditions are

$$v_1(0) = 2V = a + 4b$$

$$\Rightarrow a + 4b = 2$$

$$i_s(0) = 1A = -i_b(0) = -a - b$$

$$\Rightarrow -a - b = 1$$

In matrix form,

$$\begin{bmatrix} 1 & 4 \\ -1 & -1 \end{bmatrix} \begin{bmatrix} a \\ b \end{bmatrix} = \begin{bmatrix} 2 \\ 1 \end{bmatrix}$$

The solution is

$$a = -2$$

$$b = 1$$

Therefore,

$$\begin{aligned}v_1(t) &= a e^{-1.25t} + 4b e^{-0.5t} \\ &= (-2e^{-1.25t} + 4e^{-0.5t}) \text{ volts}\end{aligned}$$

$$\begin{aligned}i_5(t) &= -i_6(t) \\ &= -a e^{-1.25t} - b e^{-0.5t} \\ &= (2e^{-1.25t} - e^{-0.5t}) \text{ amps}\end{aligned}$$

~